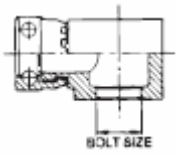

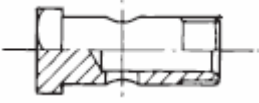
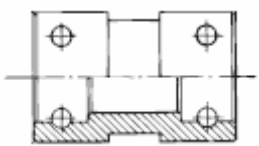


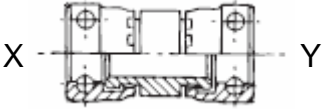
SWIVEL FEMALE BANJO (AVAILABLE AS COMPLETE ASSEMBLY WITH BONDED WASHERS AND BOLT)		PORT SIZE			BOLT SIZE
		INCH	DASH	DIN	
		1/4"	4	6	1/4" BSP
		3/8"	6	10	3/8" BSP
		3/8"	6	10	1/2" BSP
		1/2"	8	12	3/8" BSP
		1/2"	8	12	1/2" BSP
		3/4"	12	20	3/4" BSP
		1"	16	25	1" BSP
1.1/4"	20	32	1.1/4" BSP		

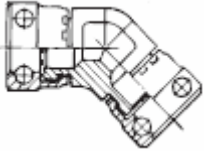
BONDED WASHER		BOLT SIZE	
		1/4" BSP	
		3/8" BSP	
		1/2" BSP	
		3/4" BSP	
		1" BSP	
		1.1/4" BSP	
		1.1/2" BSP	
		2" BSP	

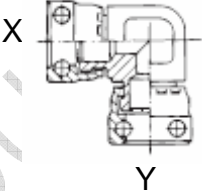
BANJO BOLT		THREAD SIZE	
		1/4" BSP	
		3/8" BSP	
		1/2" BSP	
		3/4" BSP	
		1" BSP	
		1.1/4" BSP	

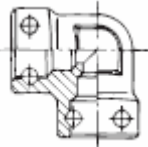
STRAIGHT FIXED FEMALE		PORT SIZE		
		INCH	DASH	DIN
		1/4"	4	6
		3/8"	6	10
		1/2"	8	12
		3/4"	12	20
		1"	16	25
		1.1/4"	20	32
		1.1/2"	24	40
		2"	32	50
		2.1/2"	40	65
		3"	48	75

CRESCO INDUSTRIAL SUPPLIES LTD

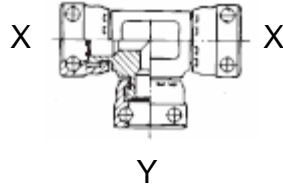
STRAIGHT SWIVEL FEMALE		PORT SIZE					
		X			Y		
		INCH	DASH	DIN	INCH	DASH	DIN
		1/4"	4	6	1/4"	4	6
		3/8"	6	10	3/8"	6	10
		3/8"	6	10	1/4"	4	6
		1/2"	8	12	1/2"	8	12
		1/2"	8	12	1/4"	4	6
		1/2"	8	12	3/8"	6	10
		3/4"	12	16	3/4"	12	20
		3/4"	12	16	3/8"	6	10
		3/4"	12	16	1/2"	8	12
		1"	16	25	1"	16	25
		1"	16	25	1/2"	8	12
		1"	16	25	3/4"	12	20
		1.1/4"	20	32	1.1/4"	20	32
1.1/4"	20	32	1/2"	8	12		
1.1/4"	20	32	3/4"	12	20		
1.1/4"	20	32	1"	16	25		

45° SWIVEL FEMALE		PORT SIZE		
		INCH	DASH	DIN
		1/4"	4	6
		3/8"	6	10
		1/2"	8	12
		3/4"	12	20
		1"	16	25
1.1/4"	20	32		

90° SWIVEL FEMALE		PORT SIZE					
		X			Y		
		INCH	DASH	DIN	INCH	DASH	DIN
		1/4"	4	6	1/4"	4	6
		3/8"	6	10	3/8"	6	10
		1/2"	8	12	1/2"	8	12
		1/2"	8	12	3/8"	6	10
		3/4"	12	20	3/4"	12	20
		1"	16	25	1"	16	25
		1.1/4"	20	32	1.1/4"	20	32

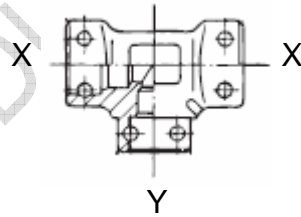
90° FIXED FEMALE		PORT SIZE		
		INCH	DASH	DIN
		1/4"	4	6
		3/8"	6	10
		1/2"	8	12
		3/4"	12	20
		1"	16	25
		1.1/4"	20	32
		1.1/2"	24	40
		2"	32	50
2.1/2"	40	65		
3"	48	75		

SWIVEL FEMALE TEE

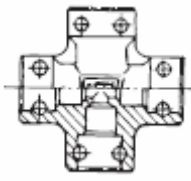


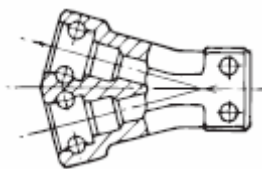
PORT SIZE					
X			Y		
INCH	DASH	DIN	INCH	DASH	DIN
1/4"	4	6	1/4"	4	6
3/8"	6	10	3/8"	6	10
1/2"	8	12	1/2"	8	12
1/2"	8	12	3/8"	6	10
1/2"	8	12	1/4"	4	6
3/4"	12	20	3/4"	12	20
3/4"	12	20	1/4"	4	6
3/4"	12	20	3/8"	6	10
3/4"	12	20	1/2"	8	12
1"	16	25	1"	16	25
1"	16	25	3/8"	6	10
1"	16	25	1/2"	8	12
1"	16	25	3/4"	12	20
1.1/4"	20	32	1.1/4"	20	32
1.1/4"	20	32	3/8"	6	10
1.1/4"	20	32	1/2"	8	12
1.1/4"	20	32	3/4"	12	20
1.1/4"	20	32	1"	16	25

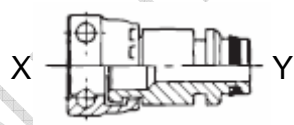
FIXED FEMALE TEE



PORT SIZE					
X			Y		
INCH	DASH	DIN	INCH	DASH	DIN
1/4"	4	6	1/4"	4	6
3/8"	4	6	3/8"	6	10
1/2"	8	12	1/2"	8	12
1/2"	8	12	3/8"	6	10
3/4"	12	20	3/4"	12	20
3/4"	12	20	3/8"	6	10
3/4"	12	20	1/2"	8	12
1"	16	25	1"	16	25
1"	16	25	3/8"	6	10
1"	16	25	1/2"	8	12
1"	16	25	3/4"	12	20
1.1/4"	20	32	1.1/4"	20	32
1.1/4"	20	32	3/8"	6	10
1.1/4"	20	32	1/2"	8	12
1.1/4"	20	32	3/4"	12	20
1.1/4"	20	32	1"	16	25
1.1/2"	24	40	1.1/2"	24	40
1.1/2"	24	40	3/8"	6	10
1.1/2"	24	40	1/2"	8	12
1.1/2"	24	40	3/4"	12	20
1.1/2"	24	40	1"	16	25
1.1/2"	24	40	1.1/4"	20	40
2"	32	50	2"	32	50
2"	32	50	1"	16	25
2"	32	50	1.1/4"	20	32
2"	32	50	1.1/2"	24	40
2.1/2"	40	65	2.1/2"	40	65
2.1/2"	40	65	2"	32	50

FIXED FEMALE CROSS		PORT SIZE		
		INCH	DASH	DIN
		1/4"	4	6
		3/8"	6	10
		1/2"	8	12
		3/4"	12	20
		1"	16	25
1.1/4"	20	32		

FIXED FEMALE Y-PIECE		PORT SIZE		
		INCH	DASH	DIN
		3/8"	6	10

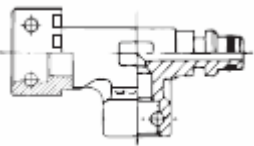
SWIVEL FEMALE - MALE		PORT SIZE					
		X			Y		
		INCH	DASH	DIN	INCH	DASH	DIN
		1/4"	4	6	1/4"	4	6
		1/4"	4	6	3/8"	6	10
		1/4"	4	6	1/2"	8	12
		3/8"	6	10	1/4"	4	6
		3/8"	6	10	3/8"	6	10
		3/8"	6	10	1/2"	8	12
		3/8"	6	10	3/4"	12	20
		3/8"	6	10	1"	16	25
		3/8"	6	10	1.1/4"	20	32
		3/8"	6	10	1.1/2"	24	40
		1/2"	8	12	1/4"	4	4
		1/2"	8	12	3/8"	6	10
		1/2"	8	12	1/2"	8	12
		1/2"	8	12	3/4"	12	20
		1/2"	8	12	1"	16	25
		1/2"	8	12	1.1/4"	20	32
		3/4"	12	20	3/8"	6	10
		3/4"	12	20	1/2"	8	12
		3/4"	12	20	3/4"	12	20
		3/4"	12	20	1"	16	25
		3/4"	12	20	1.1/4"	20	32
		1"	16	25	3/4"	12	20
		1"	16	25	1"	16	25
		1"	16	25	1.1/4"	20	32
		1"	16	25	1.1/2"	24	40
		1"	16	25	2"	32	50
		1.1/4"	20	32	3/4"	12	20
		1.1/4"	20	32	1"	16	25
		1.1/4"	20	32	1.1/4"	20	32
		1.1/4"	20	32	1.1/2"	24	40
1.1/4"	20	32	2"	32	50		
1.1/2"	24	40	1.1/4"	20	32		
1.1/2"	24	40	1.1/2"	24	40		
1.1/2"	24	40	2"	32	50		
2"	32	50	2"	32	50		

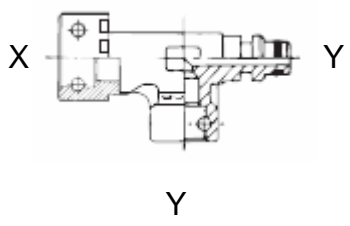
45° SWIVEL FEMALE - MALE		PORT SIZE					
		X			Y		
		INCH	DASH	DIN	INCH	DASH	DIN
		1/4"	4	6	1/4"	4	6
		3/8"	6	10	3/8"	6	10
		3/8"	6	10	1/2"	8	12
		1/2"	8	12	3/8"	6	10
		1/2"	8	12	1/2"	8	12
		3/4"	12	20	3/4"	12	20
		1"	16	25	1"	16	25
		1.1/4"	20	32	1.1/4"	20	32
		1.1/2"	24	40	1.1/2"	24	40
2"	32	50	2"	32	50		


90° FIXED FEMALE - MALE		PORT SIZE		
		INCH	DASH	DIN
		3/8"	6	10
		1.1/2"	24	40
2"	32	50		

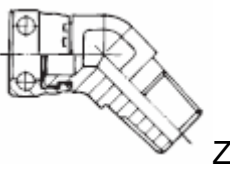
90° SWIVEL FEMALE - MALE		PORT SIZE					
		X			Y		
		INCH	DASH	DIN	INCH	DASH	DIN
		1/4"	4	6	1/4"	4	6
		1/4"	4	6	3/8"	6	10
		1/4"	4	6	1/2"	8	12
		3/8"	6	10	1/4"	4	6
		3/8"	6	10	3/8"	6	10
		3/8"	6	10	1/2"	8	12
		1/2"	8	12	1/4"	4	6
		1/2"	8	12	3/8"	6	10
		1/2"	8	12	1/2"	8	12
		1/2"	8	12	3/4"	12	20
		3/4"	12	20	1/2"	8	12
		3/4"	12	20	3/4"	12	20
		3/4"	12	20	1"	16	25
		3/4"	12	20	1.1/4"	20	32
		1"	16	25	3/4"	12	20
		1"	16	25	1"	16	25
		1"	16	25	1.1/4"	20	32
1.1/4"	20	32	3/4"	12	20		
1.1/4"	20	32	1"	16	25		
1.1/4"	20	32	1.1/4"	20	32		
1.1/2"	24	40	1.1/2"	24	40		

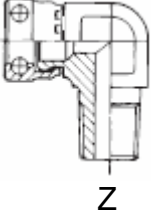
SWIVEL FEMALE - FEMALE - MALE TEE		PORT SIZE					
		X			Y		
		INCH	DASH	DIN	INCH	DASH	DIN
		1/4"	4	6	1/4"	4	6
		1/4"	4	6	3/8"	6	10
		1/4"	4	6	1/2"	8	12
		3/8"	6	10	3/8"	6	10
		3/8"	6	10	1/2"	8	12
		1/2"	8	12	1/2"	8	12
		1/2"	8	12	3/4"	12	20
		3/4"	12	20	3/4"	12	20
		3/4"	12	20	1"	16	25
		1"	16	25	1"	16	25
		1"	16	25	1.1/4"	20	32
1.1/4"	20	32	1.1/4"	20	32		

FIXED FEMALE - MALE - FEMALE 'L'-TEE		PORT SIZE		
		INCH	DASH	DIN
		3/8"	6	10

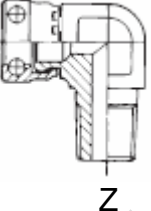
SWIVEL FEMALE - MALE - FEMALE 'L'-TEE		PORT SIZE					
		X			Y		
		INCH	DASH	DIN	INCH	DASH	DIN
		1/4"	4	6	1/4"	4	6
		3/8"	6	10	1/4"	4	6
		3/8"	6	10	3/8"	6	10
		1/2"	8	12	1/4"	4	6
		1/2"	8	12	3/8"	6	10
		1/2"	8	12	1/2"	8	12
		3/4"	12	20	3/4"	12	20
		1"	16	25	3/4"	12	20
		1"	16	25	1"	16	25
		1.1/4"	20	32	3/4"	12	20
		1.1/4"	20	32	1"	16	25
1.1/4"	20	32	1.1/4"	20	32		


SWIVEL FEMALE - NPTF MALE		PORT SIZE			PORT THREAD (Z)
		INCH	DASH	DIN	
		1/4"	4	6	1/8" NPTF
		1/4"	4	6	1/4" NPTF
		1/4"	4	6	3/8" NPTF
		3/8"	6	10	1/8" NPTF
		3/8"	6	10	1/4" NPTF
		3/8"	6	10	3/8" NPTF
		3/8"	6	10	1/2" NPTF
		1/2"	8	12	3/8" NPTF
		1/2"	8	12	1/2" NPTF
		1/2"	8	12	3/4" NPTF
		3/4"	12	20	1/2" NPTF
		3/4"	12	20	3/4" NPTF
		3/4"	12	20	1" NPTF
		1"	16	25	3/4" NPTF
		1"	16	25	1" NPTF
		1"	16	25	1.1/4" NPTF
		1"	16	25	1.1/2" NPTF
		1.1/4"	20	32	1" NPTF
1.1/4"	20	32	1.1/4" NPTF		
1.1/2"	24	40	1.1/2" NPTF		
2"	32	50	2" NPTF		

45° SWIVEL FEMALE - NPTF MALE		PORT SIZE			PORT THREAD (Z)
		INCH	DASH	DIN	
		1/4"	4	6	1/4" NPTF
		1/4"	4	6	3/8" NPTF
		3/8"	6	10	1/4" NPTF
		3/8"	6	10	3/8" NPTF
		3/8"	6	10	1/2" NPTF
		1/2"	8	12	3/8" NPTF
		1/2"	8	12	1/2" NPTF
		1/2"	8	12	3/4" NPTF
		3/4"	12	20	1/2" NPTF
		3/4"	12	20	3/4" NPTF
		1"	16	25	1" NPTF
		1.1/4"	20	32	1.1/4" NPTF

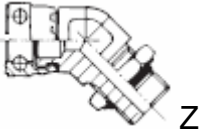
90° SWIVEL FEMALE - NPTF MALE		PORT SIZE			PORT THREAD (Z)
		INCH	DASH	DIN	
		1/4"	4	6	1/8" NPTF
		1/4"	4	6	1/4" NPTF
		1/4"	4	6	3/8" NPTF
		3/8"	6	10	1/4" NPTF
		3/8"	6	10	3/8" NPTF
		3/8"	6	10	1/2" NPTF
		1/2"	8	12	3/8" NPTF
		1/2"	8	12	1/2" NPTF
		1/2"	8	12	3/4" NPTF
		3/4"	12	20	1/2" NPTF
		3/4"	12	20	3/4" NPTF
		3/4"	12	20	1" NPTF
		1"	16	25	1" NPTF
1.1/4"	20	32	1.1/4" NPTF		
*1.1/2"	24	40	1.1/2" NPTF		
*2"	32	50	2" NPTF		

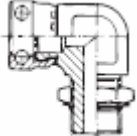
\* FIXED FEMALE

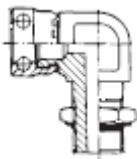
90° SWIVEL FEMALE - NPTF MALE LONG		PORT SIZE			PORT THREAD (Z)
		INCH	DASH	DIN	
		1/4"	4	6	1/4" NPTF
		3/8"	6	10	3/8" NPTF
		3/8"	6	10	1/2" NPTF
		1/2"	8	12	3/8" NPTF
		1/2"	8	12	1/2" NPTF
		1/2"	8	12	3/4" NPTF
		3/4"	12	20	1/2" NPTF
		3/4"	12	20	3/4" NPTF
		1"	16	25	1" NPTF
		1.1/4"	20	32	1.1/4" NPTF

SWIVEL FEMALE - UNF MALE O-RING		PORT SIZE			PORT THREAD (Z)
		INCH	DASH	DIN	
		1/4"	4	6	7/16" 20 UNF
		1/4"	4	6	1/2" 20 UNF
		1/4"	4	6	9/16" 18 UNF
		3/8"	6	10	7/16" 20 UNF
		3/8"	6	10	9/16" 18 UNF
		3/8"	6	10	3/4" 16 UNF
		1/2"	8	12	9/16" 18 UNF
		1/2"	8	12	3/4" 16 UNF
		1/2"	8	12	7/8" 14 UNF
		1/2"	8	12	1.1/16" 12 UNF
		3/4"	12	20	7/8" 14 UNF
		3/4"	12	20	1.1/16" 12 UNF
		3/4"	12	20	1.5/16" 12 UNF
		3/4"	12	20	1.5/8" 12 UNF
		3/4"	12	20	1.7/8" 12 UNF
		1"	16	25	1.1/16" 12 UNF
		1"	16	25	1.5/16" 12 UNF
		1.1/4"	20	32	1.5/16" 12 UNF
		1.1/4"	20	32	1.5/8" 12 UNF
1.1/2"	24	40	1.7/8" 12 UNF		
*2"	32	50	2.1/2" 12 UNF		

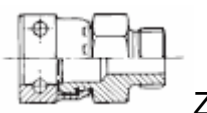
\* FIXED FEMALE

45° SWIVEL FEMALE - UNF MALE O-RING		PORT SIZE			PORT THREAD (Z)
		INCH	DASH	DIN	
		1/4"	4	6	7/16" 20 UNF
		1/4"	4	6	9/16" 18 UNF
		3/8"	6	10	7/16" 20 UNF
		3/8"	6	10	9/16" 18 UNF
		3/8"	6	10	3/4" 16 UNF
		1/2"	8	12	9/16" 18 UNF
		1/2"	8	12	3/4" 16 UNF
		1/2"	8	12	7/8" 14 UNF
		1/2"	8	12	1.1/16" 12 UNF
		3/4"	12	20	1.1/16" 12 UNF
		1"	16	25	1.5/16" 12 UNF
1.1/4"	20	32	1.5/8" 12 UNF		


90° SWIVEL FEMALE - UNF MALE O-RING		PORT SIZE			PORT THREAD (Z)
		INCH	DASH	DIN	
		1/4"	4	6	7/16" 20 UNF
		1/4"	4	6	9/16" 18 UNF
		3/8"	6	10	7/16" 20 UNF
		3/8"	6	10	9/16" 18 UNF
		3/8"	6	10	3/4" 16 UNF
		1/2"	8	12	9/16" 18 UNF
		1/2"	8	12	3/4" 16 UNF
		1/2"	8	12	7/8" 14 UNF
		1/2"	8	12	1.1/16" 12 UNF
		3/4"	12	20	7/8" 14 UNF
		3/4"	12	20	1.1/16" 12 UNF
1"	16	25	1.5/16" 12 UNF		
1.1/4"	20	32	1.5/8" 12 UNF		

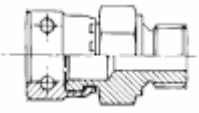
90° SWIVEL FEMALE - UNF MALE O-RING LONG		PORT SIZE			PORT THREAD (Z)
		INCH	DASH	DIN	
		1/4"	4	6	7/16" 20 UNF
		1/4"	4	6	9/16" 18 UNF
		3/8"	6	10	9/16" 18 UNF
		3/8"	6	10	3/4" 16 UNF
		1/2"	8	12	3/4" 16 UNF
		1/2"	8	12	7/8" 14 UNF
		3/4"	12	20	1.1/16" 12 UNF
		1"	16	25	1.5/16" 12 UNF
		1.1/4"	20	32	1.5/8" 12 UNF

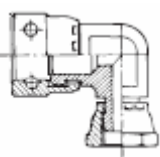
CRESCO INDUSTRIAL SUPPLIES

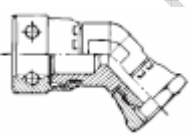
SWIVEL FEMALE - BSP MALE		PORT SIZE			PORT THREAD (Z)
		INCH	DASH	DIN	
		1/4"	4	6	1/4" BSP
		1/4"	4	6	3/8" BSP
		3/8"	6	10	1/4" BSP
		3/8"	6	10	3/8" BSP
		3/8"	6	10	1/2" BSP
		3/8"	6	10	5/8" BSP
		1/2"	8	12	3/8" BSP
		1/2"	8	12	1/2" BSP
		1/2"	8	12	3/4" BSP
		1/2"	8	12	1" BSP
		3/4"	12	20	1/2" BSP
		3/4"	12	20	3/4" BSP
		3/4"	12	20	1" BSP
		3/4"	12	20	1.1/4" BSP
		1"	16	25	3/4" BSP
		1"	16	25	1" BSP
		1"	16	25	1.1/4" BSP
		1.1/4"	20	32	1" BSP
1.1/4"	20	32	1.1/4" BSP		
1.1/4"	20	32	1.1/2" BSP		
*1.1/2"	24	40	1.1/2" BSP		
*2"	32	50	2" BSP		

\*FIXED FEMALE

SWIVEL FEMALE - BSP O- RING MALE		PORT SIZE			PORT THREAD (Z)
		INCH	INCH	INCH	
		1/4"	4	6	1/4" BSP
		3/8"	6	10	3/8" BSP
		3/8"	6	10	1/2" BSP
		1/2"	8	12	3/8" BSP
		1/2"	8	12	1/2" BSP
		1/2"	8	12	3/4" BSP
		1/2"	8	12	1" BSP
		3/4"	12	20	1/2" BSP
		3/4"	12	20	3/4" BSP
		3/4"	12	20	1" BSP
		1"	16	25	3/4" BSP
		1"	16	25	1" BSP
		1"	16	25	1.1/4" BSP
		1.1/4"	20	32	1" BSP
		1.1/4"	20	32	1.1/4" BSP

<b>SWIVEL FEMALE - BSP MALE (DIN 3852) FORM "B"</b>		PORT SIZE			PORT THREAD (Z)
		INCH	DASH	DIN	
		1/4"	4	6	1/4" BSP
		1/4"	4	6	3/8" BSP
		3/8"	6	10	3/8" BSP
		3/8"	6	10	1/2" BSP
		1/2"	8	12	3/8" BSP
		1/2"	8	12	1/2" BSP
		1/2"	8	12	3/4" BSP
		1/2"	8	12	1" BSP
		3/4"	12	20	1/2" BSP
		3/4"	12	20	3/4" BSP
		3/4"	12	20	1" BSP
		1"	16	25	3/4" BSP
		1"	16	25	1" BSP
		1"	16	25	1.1/4" BSP
1.1/4"	20	32	1" BSP		
1.1/4"	20	32	1.1/4" BSP		
1.1/4"	20	32	1.1/2" BSP		

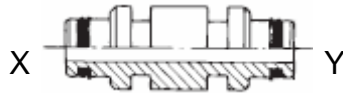
<b>90° SWIVEL FEMALE - BSP SWIVEL FEMALE</b>		PORT SIZE			PORT THREAD (Z)
		INCH	DASH	DIN	
		1/4"	4	6	1/4" BSP
		3/8"	6	10	3/8" BSP
		1/2"	8	12	1/2" BSP
		3/4"	12	20	3/4" BSP
		1"	16	25	1" BSP
		1.1/4"	20	32	1.1/4" BSP

<b>45° SWIVEL FEMALE - BSP SWIVEL FEMALE</b>		PORT SIZE			PORT THREAD (Z)
		INCH	DASH	DIN	
		1/4"	4	6	1/4" BSP
		3/8"	6	10	3/8" BSP
1/2"	8	12	1/2" BSP		

Z


CRESCO INDUS


MALE - MALE





PORT SIZE					
X			Y		
INCH	DASH	DIN	INCH	DASH	DIN
1/4"	4	6	1/4"	4	6
1/4"	4	6	3/8"	6	10
1/4"	4	6	1/2"	8	12
3/8"	6	10	3/8"	6	10
3/8"	6	10	1/2"	8	12
3/8"	6	10	3/4"	12	20
3/8"	6	10	1"	16	25
3/8"	6	10	1.1/4"	20	32
1/2"	8	12	1/2"	8	12
1/2"	8	12	3/4"	12	20
1/2"	8	12	1"	16	25
1/2"	8	12	1.1/4"	20	32
1/2"	8	12	1.1/2"	24	40
1/2"	8	12	2"	32	50
3/4"	12	20	3/4"	12	20
3/4"	12	20	1"	16	25
3/4"	12	20	1.1/4"	20	32
3/4"	12	20	1.1/2"	24	40
3/4"	12	20	2"	32	50
1"	16	25	1"	16	25
1"	16	25	1.1/4"	20	32
1"	16	25	1.1/2"	24	40
1"	16	25	2"	32	50
1.1/4"	20	32	1.1/4"	20	32
1.1/4"	20	32	1.1/2"	24	40
1.1/4"	20	32	2"	32	50
1.1/2"	24	40	1.1/2"	24	40
1.1/2"	24	40	2"	32	50
2"	32	50	2"	32	50
2.1/2"	40	65	2.1/2"	40	65
3"	48	75	3"	48	75

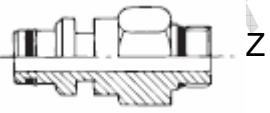
CRESCO INDUSTRIAL

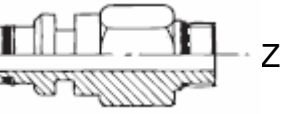
MALE - NPTF MALE		PORT SIZE			PORT THREAD (Z)
		INCH	DASH	DIN	
		1/4"	4	6	1/8" NPTF
		1/4"	4	6	1/4" NPTF
		1/4"	4	6	3/8" NPTF
		1/4"	4	6	3/4" NPTF
		3/8"	6	10	1/8" NPTF
		3/8"	6	10	1/4" NPTF
		3/8"	6	10	3/8" NPTF
		3/8"	6	10	1/2" NPTF
		3/8"	6	10	3/4" NPTF
		1/2"	8	12	1/4" NPTF
		1/2"	8	12	3/8" NPTF
		1/2"	8	12	1/2" NPTF
		1/2"	8	12	3/4" NPTF
		1/2"	8	12	1" NPTF
		3/4"	12	20	3/8" NPTF
		3/4"	12	20	1/2" NPTF
		3/4"	12	20	3/4" NPTF
		3/4"	12	20	1" NPTF
		1"	16	25	3/4" NPTF
1"	16	25	1" NPTF		
1"	16	25	1.1/4" NPTF		
1.1/4"	20	32	1.1/4" NPTF		
1.1/2"	24	40	1.1/4" NPTF		
1.1/2"	24	40	1.1/2" NPTF		
2"	32	50	2" NPTF		

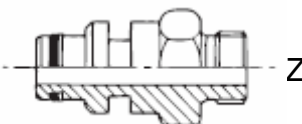
MALE - NPTF MALE LONG		PORT SIZE			PORT THREAD (Z)
		INCH	DASH	DIN	
		1/4"	4	6	1/8" NPTF
		1/4"	4	6	1/4" NPTF
		3/8"	6	10	1/4" NPTF
		3/8"	6	10	3/8" NPTF
		3/8"	6	10	1/2" NPTF
		3/8"	6	10	3/4" NPTF
		1/2"	8	12	3/8" NPTF
		1/2"	8	12	1/2" NPTF
		1/2"	8	12	3/4" NPTF
		3/4"	12	20	3/4" NPTF
		1"	16	25	1" NPTF
		1.1/4"	20	32	1.1/4" NPTF
		1.1/2"	24	40	1.1/2" NPTF
		2"	32	50	2" NPTF


MALE - NPTF MALE EXTRA LONG		PORT SIZE			PORT THREAD (Z)
		INCH	DASH	DIN	
		1/4"	4	6	1/4" NPTF
		3/8"	6	10	1/4" NPTF
		3/8"	6	10	3/8" NPTF
		3/8"	6	10	1/2" NPTF
		1/2"	8	12	3/8" NPTF
		1/2"	8	12	1/2" NPTF
		1/2"	8	12	3/4" NPTF
		3/4"	12	20	3/4" NPTF
		1"	16	25	1" NPTF
		1.1/4"	20	32	1.1/4" NPTF

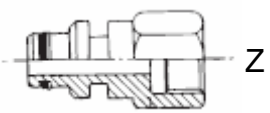
MALE - UNF MALE O-RING		PORT SIZE			PORT THREAD (Z)
		INCH	DASH	DIN	
		1/4"	4	6	7/16" 20 UNF
		1/4"	4	6	1/2" 20 UNF
		1/4"	4	6	9/16" 18 UNF
		3/8"	6	10	7/16" 20 UNF
		3/8"	6	10	9/16" 18 UNF
		3/8"	6	10	3/4" 16 UNF
		3/8"	6	10	7/8" 14 UNF
		3/8"	6	10	1.1/16" 12 UNF
		1/2"	8	12	9/16" 18 UNF
		1/2"	8	12	3/4" 16 UNF
		1/2"	8	12	7/8" 14 UNF
		1/2"	8	12	1.1/16" 12 UNF
		1/2"	8	12	1.5/16" 12 UNF
		3/4"	12	20	3/4" 16 UNF
		3/4"	12	20	7/8" 14 UNF
		3/4"	12	20	1.1/16" 12 UNF
		3/4"	12	20	1.5/16" 12 UNF
		1"	16	25	1.1/16" 12 UNF
1"	16	25	1.5/16" 12 UNF		
1"	16	25	1.5/8" 12 UNF		
1.1/4"	20	32	1.5/8" 12 UNF		

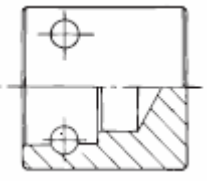
MALE - UNF MALE O-RING LONG		PORT SIZE			PORT THREAD (Z)
		INCH	DASH	DIN	
		1/4"	4	6	7/16" 20 UNF
		1/4"	4	6	9/16" 18 UNF
		3/8"	6	10	9/16" 18 UNF
		3/8"	6	10	3/4" 16 UNF
		1/2"	8	12	3/4" 16 UNF
		1/2"	8	12	7/8" 14 UNF
		1/2"	8	12	1.1/16" 12 UNF
		1/2"	8	12	1.5/16" 12 UNF
		3/4"	12	20	1.1/16" 12 UNF
		3/4"	12	20	1.5/16" 12 UNF
		1"	16	25	1.5/16" 12 UNF
		1.1/4"	20	32	1.5/8" 12 UNF

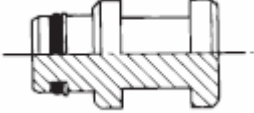
MALE - UNF MALE O-RING EXTRA LONG		PORT SIZE			PORT THREAD (Z)
		INCH	DASH	DIN	
		1/4"	4	6	7/16" 20 UNF
		1/4"	4	6	9/16" 18 UNF
		3/8"	6	10	9/16" 18 UNF
		3/8"	6	10	3/4" 16 UNF
		1/2"	8	12	9/16" 18 UNF
		1/2"	8	12	3/4" 16 UNF
		1/2"	8	12	7/8" 14 UNF
		3/4"	12	20	1.1/16" 12 UNF
		3/4"	12	20	1.5/16" 12 UNF
		1"	16	25	1.5/16" 12 UNF
		1.1/4"	20	32	1.5/8" 12 UNF
		2"	20	32	2.1/2" 12 UNF

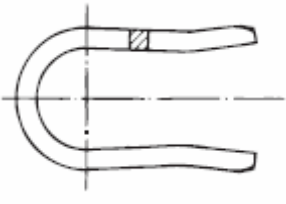
MALE - BSP MALE		PORT SIZE			PORT THREAD (Z)
		INCH	DASH	DIN	
		1/4"	4	6	1/4" BSP
		1/4"	4	6	3/8" BSP
		3/8"	6	10	1/4" BSP
		3/8"	6	10	3/8" BSP
		3/8"	6	10	1/2" BSP
		1/2"	8	12	3/8" BSP
		1/2"	8	12	1/2" BSP
		1/2"	8	12	3/4" BSP
		1/2"	8	12	1" BSP
		3/4"	12	20	1/2" BSP
		3/4"	12	20	5/8" BSP
		3/4"	12	20	3/4" BSP
		3/4"	12	20	1" BSP
		1"	16	25	3/4" BSP
		1"	16	25	1" BSP
		1"	16	25	1.1/4" BSP
		1.1/4"	20	32	1.1/4" BSP
		1.1/4"	20	32	1.1/2" BSP
1.1/2"	24	40	1.1/4" BSP		
1.1/2"	24	40	1.1/2" BSP		
2"	32	50	2" BSP		
2.1/2"	40	65	2.1/2" BSP		

MALE - BSP MALE O-RING		PORT SIZE			PORT THREAD (Z)
		INCH	DASH	DIN	
		3/8"	6	10	3/8" BSP
		3/8"	6	10	1/2" BSP
		1/2"	8	12	3/8" BSP
		1/2"	8	12	1/2" BSP
		3/4"	12	20	3/4" BSP
		1"	16	25	1" BSP
1.1/4"	20	32	1.1/4" BSP		

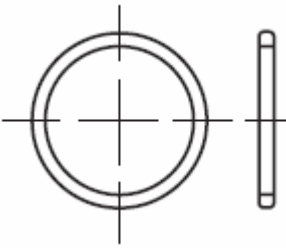
MALE - BSP FEMALE		PORT SIZE			PORT THREAD (Z)
		INCH	DASH	DIN	
		3/8"	6	10	3/8" BSP
1/2"	8	12	1/2" BSP		

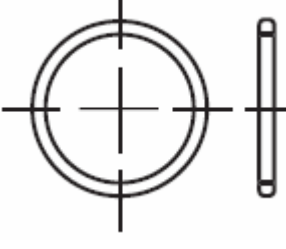
FEMALE END CAP		PORT SIZE		
		INCH	DASH	DIN
		1/4"	4	6
		3/8"	6	10
		1/2"	8	12
		3/4"	12	20
		1"	16	25
		1.1/4"	20	32
		1.1/2"	24	40
		2"	32	50
		2.1/2"	40	65
3"	48	75		

MALE PLUG		PORT SIZE		
		INCH	DASH	DIN
		1/4"	4	6
		3/8"	6	10
		1/2"	8	12
		3/4"	12	20
		1"	16	25
		1.1/4"	20	32
		1.1/2"	24	40
		2"	32	50
		2.1/2"	40	65
		3"	48	75

STAPLE STAPLE (ZINC PLATED) STAPLE (STAINLESS)		PORT SIZE		
		INCH	DASH	DIN
		1/4"	4	6
		3/8"	6	10
		1/2"	8	12
		3/4"	12	20
		1"	16	25
		1.1/4"	20	32
		1.1/2"	24	40
		2"	32	50
		*2.1/2"	40	65
		*3"	48	75

\*ONLY AVAILABLE IN STAINLESS STEEL

O-RING		PORT SIZE		
		INCH	DASH	DIN
		1/4"	4	6
		3/8"	6	10
		1/2"	8	12
		3/4"	12	20
		1"	16	25
		1.1/4"	20	32
		1.1/2"	24	40
		2"	32	50
		2.1/2"	40	65
		3"	48	75

BACK UP RING		PORT SIZE		
		INCH	DASH	DIN
		1/4"	4	6
		3/8"	6	10
		1/2"	8	12
		3/4"	12	20
		1"	16	25
		1.1/4"	20	32